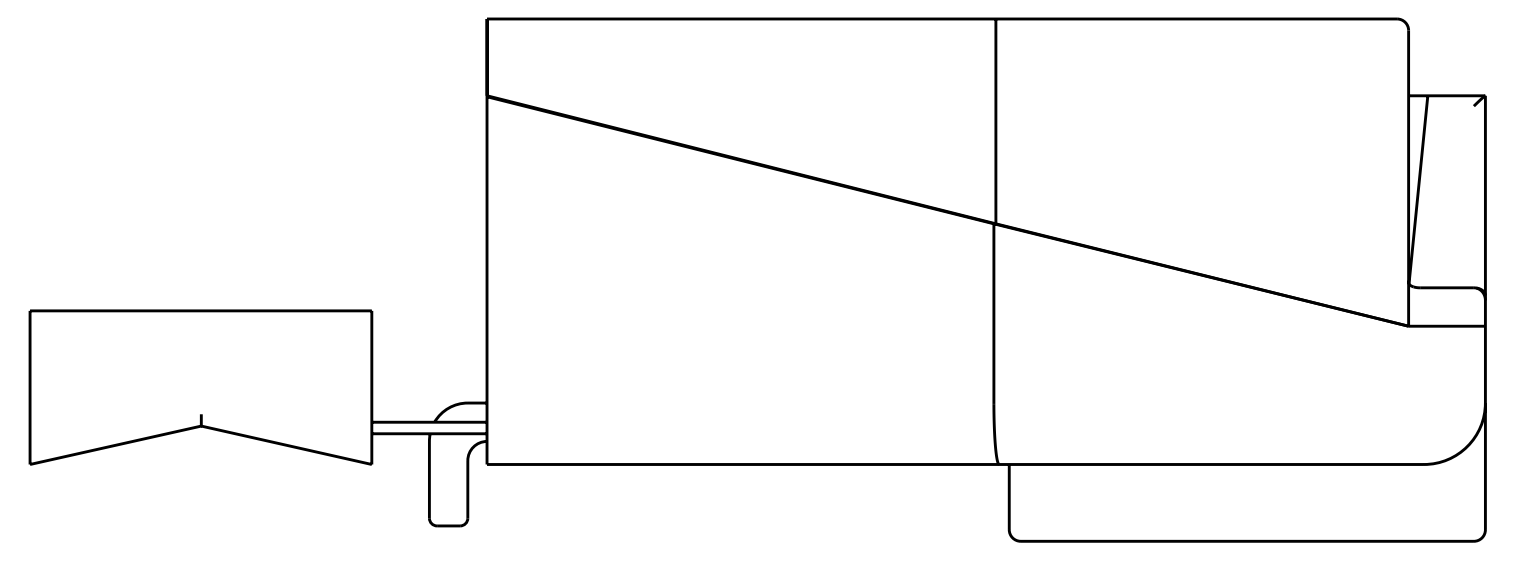
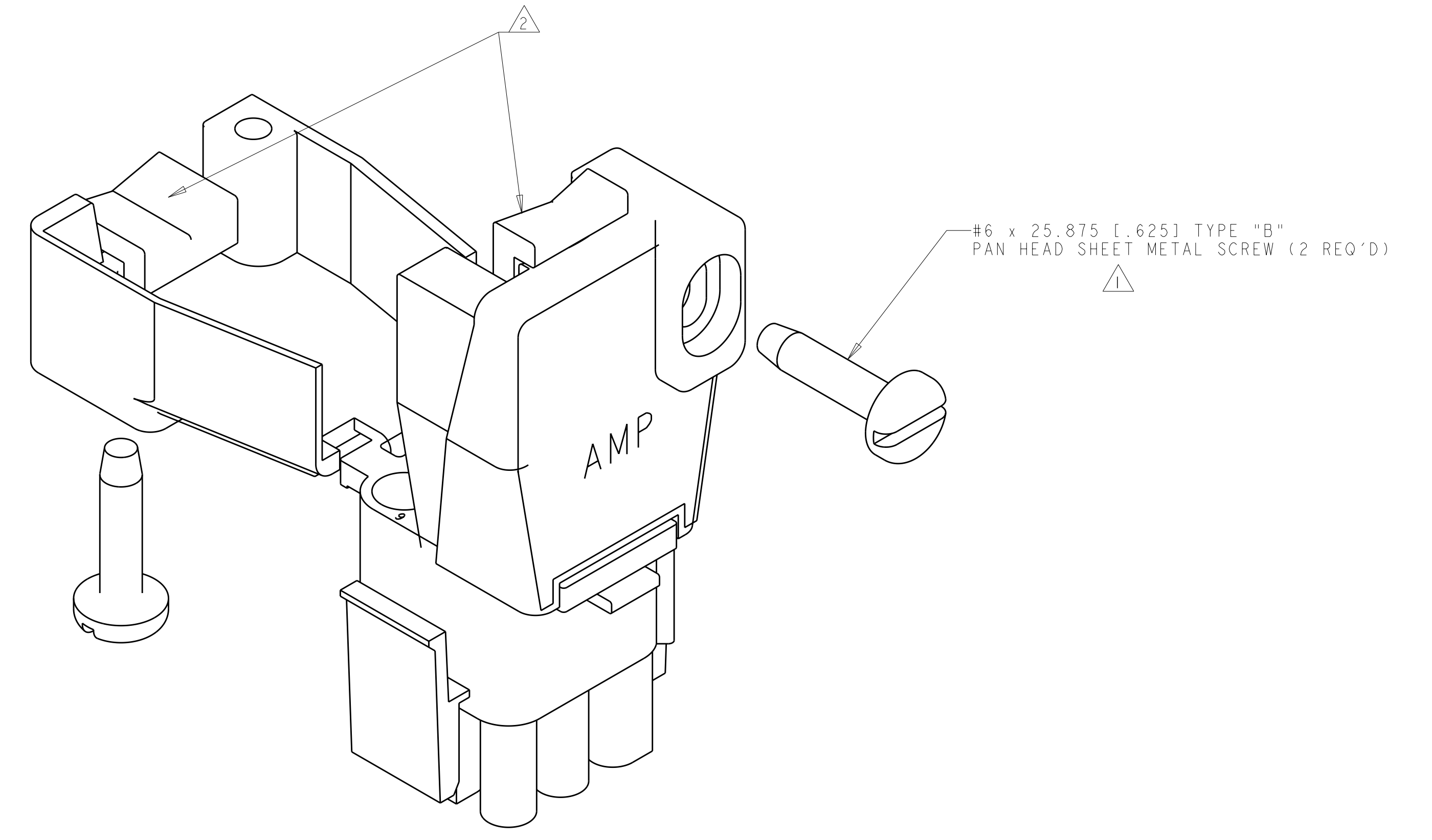
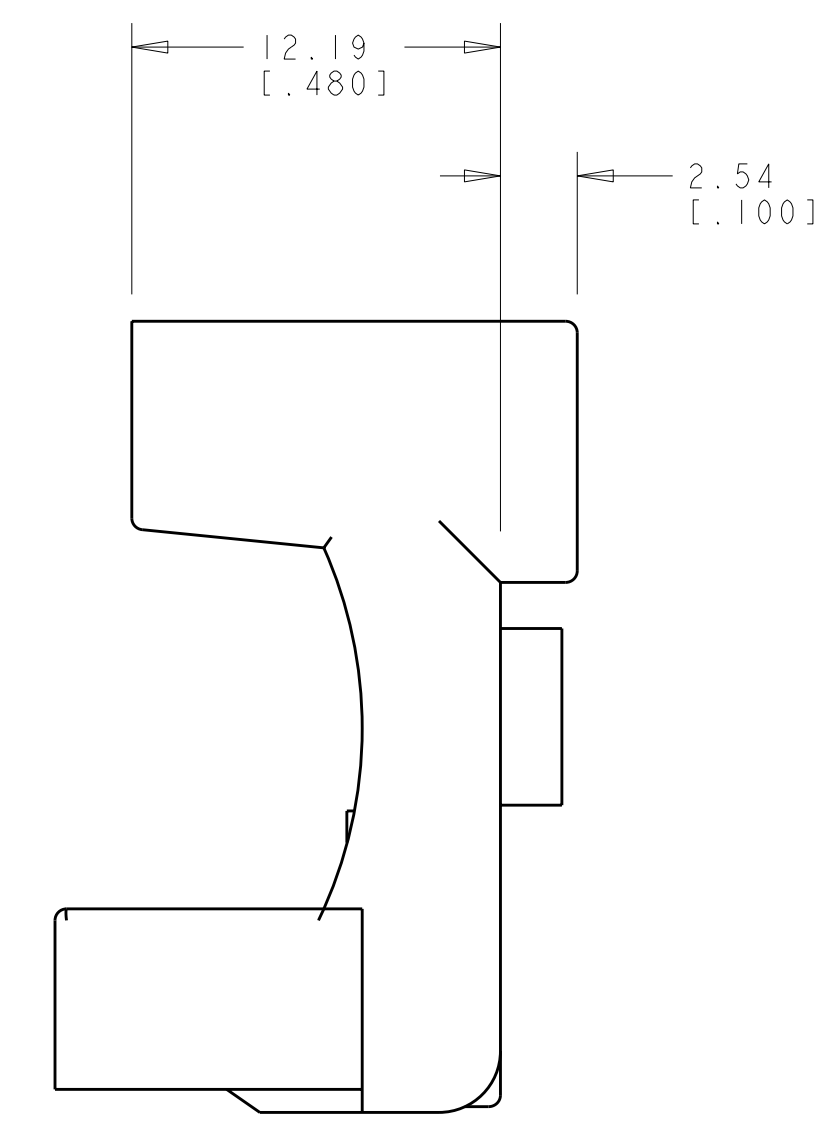
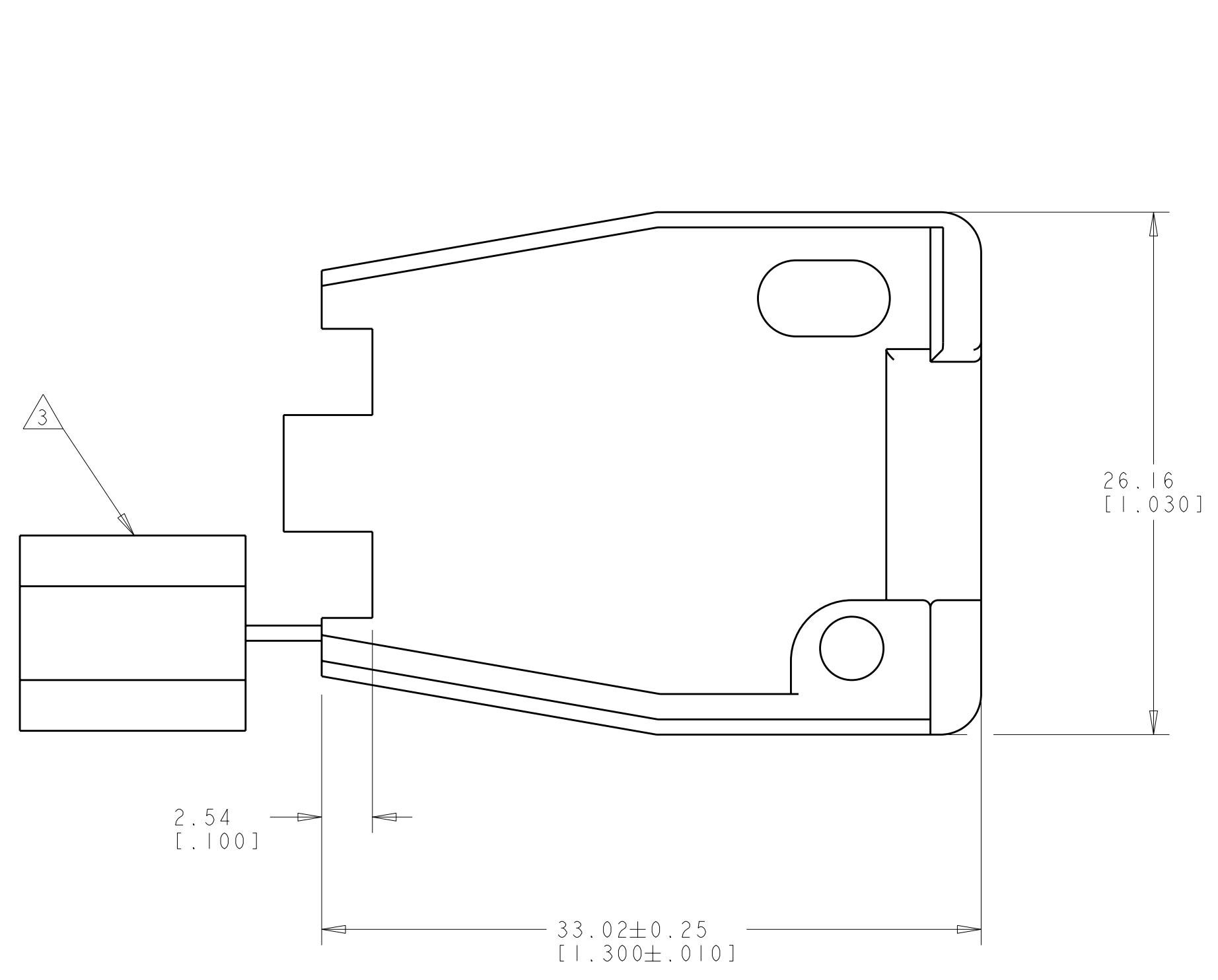


LOC	DIST	REVISIONS			
CM	00	REV	DATE	BY	APP'D
		D1	REVISD PER ECO-11-005027	18MAR2011	RK HMR

- 1. SHEET METAL SCREWS NOT SUPPLIED.
- 2. INSERT IS ATTACHED TO STRIN RELIEF AS AN ADDITIONAL ADJUSTMENT FOR SMALL WIRE BUNDLES. IT SHOULD BE CUT OFF AND POSTIONED AS SHOWN.
- 3. TWO REQUIRED PER CONNECTOR.
- 4. DETACHABLE INSERT MAY SEPARATE FROM STRAIN RELIEF BODY DURING SHIPPING.



COLOR	MATERIAL	PART NUMBER
BLACK	NYLON UL94V-2	1-640721-9
NATURAL	NYLON UL94V-2	1-640721-0



THIS DRAWING IS A CONTROLLED DOCUMENT.

DIMENSIONS: mm [INCHES]
 TOLERANCES UNLESS OTHERWISE SPECIFIED:
 9 PLC ±
 7 PLC ±0.13 [1.005]
 5 PLC ±
 4 PLC ±
 ANGLES ±40° 30'

FINISH
 MATERIAL SEE TABLE

DWN: R. WHITAKER 05DEC2003
 CHK: S. RIDGILL 05DEC2003
 APVD: S. RIDGILL 05DEC2003

NAME: STRAIN-RELIEF AND INSERT, 6 CIRCUIT, UNIVERSAL MATE-N-LOK(TM)
 PRODUCT SPEC:
 APPLICATION SPEC:
 WEIGHT:
 CUSTOMER DRAWING

SIZE: A100779
 CAGE CODE: C-640721
 DRAWING NO: 1-640721-9
 RESTRICTED TO:

SCALE: 4:1
 SHEET: 1 OF 1
 REV: D1

STE TE Connectivity